

**BOURNS®**

**Features**

- Single-Turn / Cermet / Industrial / Sealed
- Miniature package
- Rotor designed for automatic machine adjust interface
- Withstands harsh environments and immersion cleaning processes
- Compatible with surface mount manufacturing processes
- RoHS compliant\* - see processing information on lead free surface mount trimmers

**3361 - 1/4 " Square SMD Trimming Potentiometer**

**Electrical Characteristics**

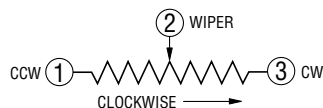
Std. Resistance Range ...10 to 2 megohms (see standard resistance table)  
 Resistance Tolerance .....±10 % std. (tighter tolerance available)  
 Absolute Minimum Resistance .....1 % or 2 ohms (whichever is greater)  
 Contact Resistance Variation .....3 % or 3 ohms max. (whichever is greater)  
 Adjustability  
 Voltage .....±0.05 %  
 Resistance .....±0.15 %  
 Resolution .....Infinite  
 Insulation Resistance .....500 vdc. 1,000 megohms min.  
 Dielectric Strength  
 Sea Level .....900 vac  
 80,000 Feet .....350 vac  
 Adjustment Angle .....240° nom.

**Environmental Characteristics**

Maximum Soldering Exposure (Temp/Time).....+260 °C/20 sec. max. above 255 °C  
 Power Rating (300 volts max.)  
 70 °C .....0.50 watt  
 125 °C .....0 watt  
 Temperature Range .....-55 °C to +125 °C  
 Temperature Coefficient .....±100 ppm/°C  
 Seal Test .....85 °C Fluorinert†  
 Humidity .....MIL-STD-202 Method 103 96 hours (2 % ΔTR; 10 Megohms IR)  
 Vibration .....30 G (1 % ΔTR; 1 % ΔVR)  
 Shock .....100 G (1 % ΔTR; 1 % ΔVR)  
 Load Life .....1,000 hours 0.5 watt @ 70 °C (3 % ΔTR; 3 % or 3 ohms, whichever is greater, CRV)  
 Rotational Life .....200 cycles (4 % ΔTR; 3 % or 3 ohms, whichever is greater, CRV)

**Physical Characteristics**

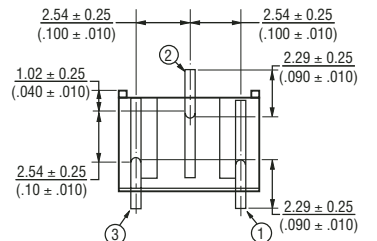
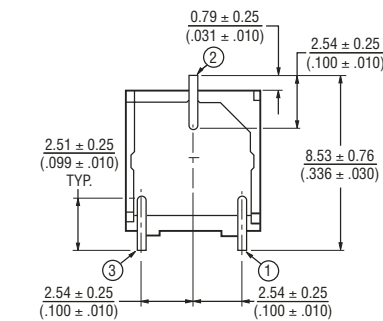
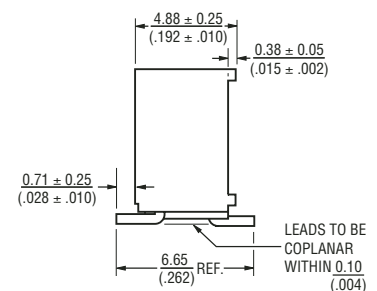
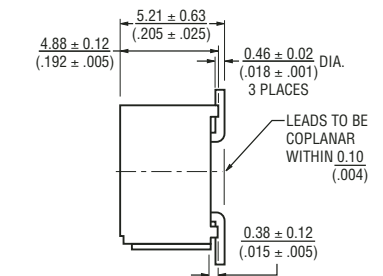
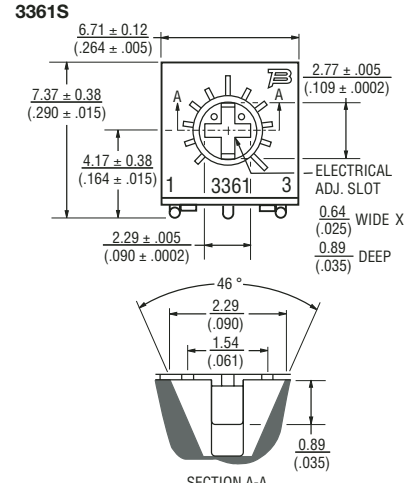
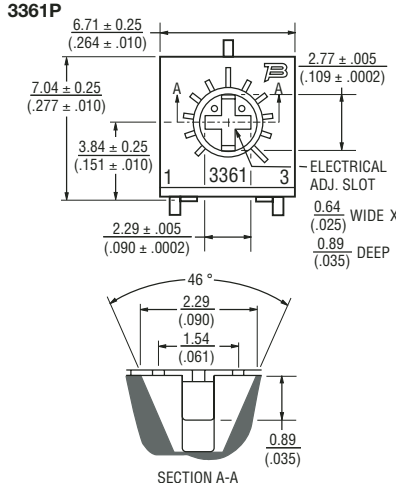
Mechanical Angle .....270° nom.  
 Torque .....3.0 oz-in. max.  
 Stop Strength .....7.0 oz-in. min.  
 Terminals .....Solderable pins  
 Weight .....0.02 oz.  
 Marking .....Resistance code, terminal numbers, manufacturer's model number, style and date code  
 Wiper .....50 % (Actual TR) ±10 %  
 Flammability .....U.L. 94V-0  
 Standard Packing  
 "S" Style .....500 pcs./13" reel  
 "P" Style .....750 pcs./13" reel  
 Adjustment Tool .....H-90



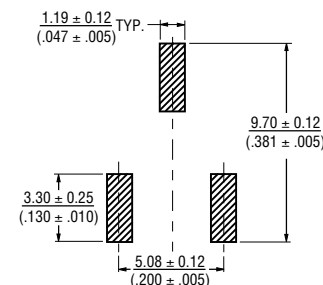
TOLERANCES: ± 0.25 (.010) EXCEPT WHERE NOTED

DIMENSIONS ARE:  $\frac{\text{MM}}{\text{(INCHES)}}$

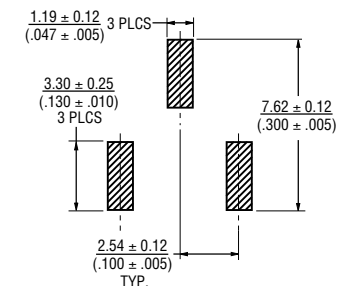
**Product Dimensions**



**Recommended Land Pattern**



**Recommended Land Pattern**



\*RoHS Directive 2002/95/EC Jan 27 2003 including Annex. †"Fluorinert" is a registered trademark of 3M Co. Specifications are subject to change without notice. Customers should verify actual device performance in their specific applications.

# 3361 - 1/4 " Square SMD Trimming Potentiometer

**BOURNS®**

## How to Order

**3361 P - 1 - 502 G LF**

Model \_\_\_\_\_  
 Style \_\_\_\_\_  
 Standard or Modified Product Indicator  
 -1 = Standard Product  
 Resistance Code \_\_\_\_\_  
 Optional Suffix Letter  
 G = Embossed Tape  
 "S" Style = 500 pcs./13 "reel  
 "P" Style = 750 pcs./13 "reel

Terminations \_\_\_\_\_  
 LF = 100 % Tin-plated (RoHS compliant)  
 Blank = 90 % Tin / 10 % Lead-plated (Standard)

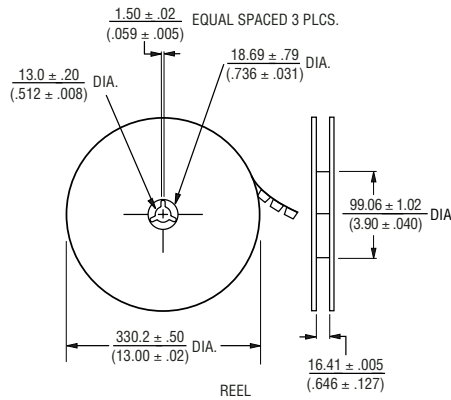
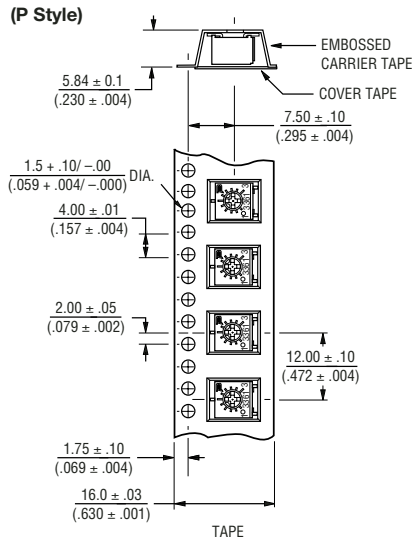
Consult factory for other available options.

## Standard Resistance Table

Resistance (Ohms)	Resistance Code
10	100
20	200
50	500
<b>100</b>	<b>101</b>
<b>200</b>	<b>201</b>
<b>500</b>	<b>501</b>
<b>1,000</b>	<b>102</b>
<b>2,000</b>	<b>202</b>
<b>5,000</b>	<b>502</b>
<b>10,000</b>	<b>103</b>
<b>20,000</b>	<b>203</b>
<b>25,000</b>	<b>253</b>
<b>50,000</b>	<b>503</b>
<b>100,000</b>	<b>104</b>
200,000	204
250,000	254
500,000	504
1,000,000	105
2,000,000	205

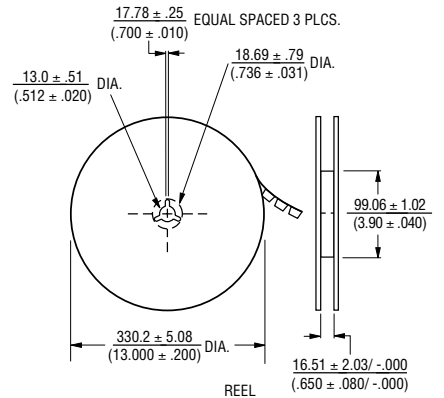
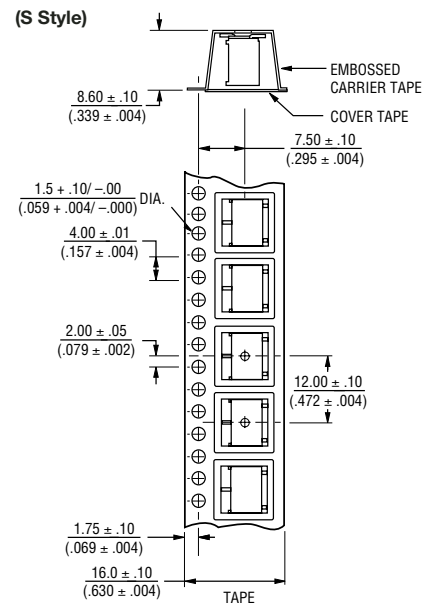
Popular distribution resistance values listed in boldface. Special resistances available.

## Packaging Specifications



UNITS PACKAGED 750 PIECES PER REEL.

## Packaging Specifications



UNITS PACKAGED 500 PIECES PER REEL.